

Rosko

RO-RACK

Pan Rack

 RO-RACK-1216-ALU

 RO-RACK-1218-ALU

 RO-RACK-2018-ALU


RO-RACK-1218-ALU



RO-RACK-2018-ALU

Features

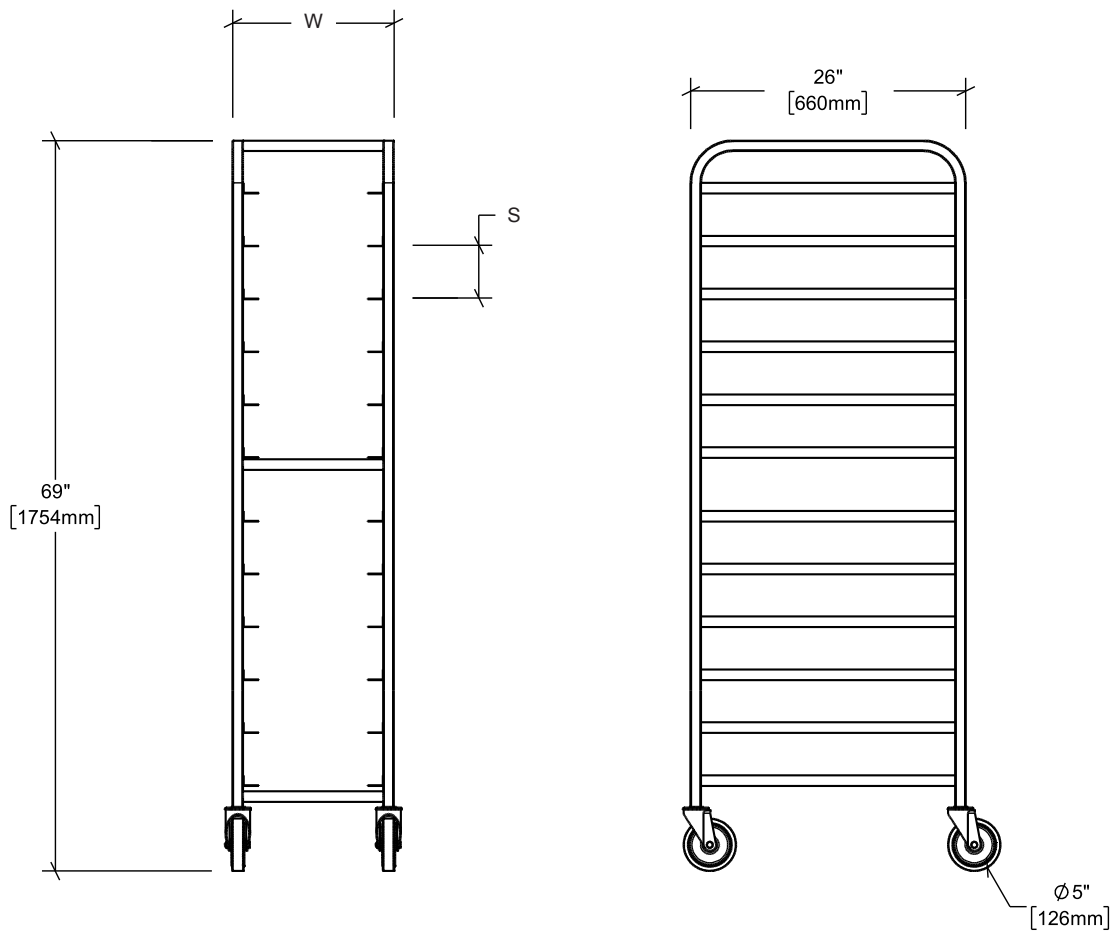
- Made of 1" (25 mm) aluminum tube – 18 gauge
- Welded aluminum slides
- 12 to 20 baking trays or dish bins capacity
- Equipped with swivel polyurethane casters (2 with brakes)
- Quick and easy to assemble
- One (1) year limited warranty on parts and labor
- Certified to NSF/ANSI 2 standards



955 Lachance Street
 Québec, QC G1P 2H3
 Canada

1-866-444-1110
 sav@doyondespres.com
 doyondepres.com/marques/rosko

*Due to the continuous development of the product,
 specifications are subject to change without notice.*



Model	Width (W)	Depth	Height	Shelf spacing (S)	Weight	Packaging dimensions (W x D x H)
RO-RACK-1216-ALU	18 ¼" 476 mm	26" 660 mm	69" 1754 mm	5" - 127 mm	26 lb - 12 kg	72 x 27 ½ x 4" 1829 x 699 x 102 mm
RO-RACK-1218-ALU	20 ¼" 514 mm				27 lb - 12 kg	
RO-RACK-2018-ALU				3" - 76 mm	31 lb - 14 kg	

Model	Pan capacity	Individual shelf weight limit	Total rack weight limit
RO-RACK-1216-ALU	12 bacs 16 x 26"	25 lb - 11 kg	300 lb - 135 kg
RO-RACK-1218-ALU	12 plaques 18 x 26"		
RO-RACK-2018-ALU	20 plaques 18 x 26"		400 lb - 180 kg