

Rosko

RO-HDSCE

**Electric Countertop
Hot-Dog Steamer**



RO-HDSCE-18



INSTALLATION GUIDE

Operation, maintenance, and service parts

- RO-HDSCE-18-1
- RO-HDSCE-18-2

1. WARNINGS AND CAUTIONS



WARNING

Any installation, adjustment, modification, repair, or maintenance not in accordance with applicable standards may cause property damage, injury, or death. To ensure a safe installation and proper operation of your Rosko equipment, please read this entire guide and keep it for future reference.

- This unit is intended for commercial use only.
- Installation must meet the requirements of the codes below, where applicable.
 - State codes or local codes, or in the absence of local codes:
 - the National Electrical Code **ANSI/NFPA 70**;
 - State codes or local codes, or in the absence of local codes:
 - the Canadian Electrical Code **CSA C22.1**.
- The installation of this appliance must be done by a certified technician, where required by law.
- Do not store fuels or other flammable materials near the unit.
- In the event of a malfunction, disconnect the unit power supply and contact a service technician.



WARNING

Keep a copy of these instructions in a visible location¹.

¹This guide is updated as new information or new products become available.

TABLE OF CONTENT

1. WARNINGS ET CAUTIONS	2
2. PLANNING AND INSTALLATION	4
2.1. CLEARANCE	4
2.2. RECEPTION AND INSPECTION	4
2.3. LEVEL	5
2.4. ATTACHEMENT	5
2.5. CONNECTION	6
3. OPERATION	8
3.1. IGNITION	8
3.2. PROLONGED SHUTDOWN	8
4. MAINTENANCE	9
4.1. CLEANING	9
5. ELECTRICAL DIAGRAM	11
5.1. RO-HDSCE-18	11
6. SERVICE PARTS	12
6.1. RO-HDSCE-18	12
7. SPECIFICATIONS	15
CONTACT US	16

2. PLANNING AND INSTALLATION

Congratulations on the purchase of your new Rosko electric countertop steamer!

To maximize the use and durability of your unit, we recommend that you follow the instructions in this guide. Installation, operation, and maintenance procedures must be followed for warranty protection to apply.

2.1. CLEARANCE

It is essential to observe the following minimum clearance when planning the installation of the unit and during the installation:

- Construction with combustible materials:
 - 1" (25 mm) at the back and on each side of the steamer
- Construction with non-combustible materials:
 - 0" (0 mm) at the back and on each side of the steamer
- Provide adequate space for the unit operation and maintenance.

2.2. RECEPTION AND INSPECTION

This unit has been inspected and verified before shipment. Upon receipt, check immediately for damage with the delivery person present. If necessary, make your claim immediately.

The warranty is limited to the replacement of defective parts under normal use. No claims will be accepted for breakage resulting from improper installation, improper operation, or unauthorized service before installation.

Before installation, make sure the specifications of the electric countertop steamer match the type of electric supply. Refer to the nameplate on the side of the unit.

Important: Confirm that you have received all the parts included with your steamer model.

All Electric Countertop Steamer Models

Materials included:

- 1 steamer
- 1 movable cover
- 1 tank separator
- 2 perforated grids
- 1 round opening steam table adaptor plate
- 1 instruction guide

NOTE: When the steamer is used with round containers, **the movable cover, the tank separator, and the two (2) perforated grids** are not necessary.

2.3. LEVEL

WARNING

The steamer must be supported by a heatproof counter or stand.

Once the unit is in its final position, level the steamer by adjusting the leveling feet. Make sure the steamer is level in the front-to-back and side-to-side axis. It is recommended to level the unit each time it is moved. Proper leveling prevents accidents and ensures optimal cooking performance.

2.4. ATTACHEMENT

WARNING

The unit must be installed with restraints to counteract possible stress on the electrical circuit.

Do not use the connector or power supply wire to restrict the unit movement. Fastening can be done by inserting the steamer into a battery of equipment or by attaching the steamer to the back wall with a ring and a chain shorter than the power cord.

NOTE: Fastening material is not included.

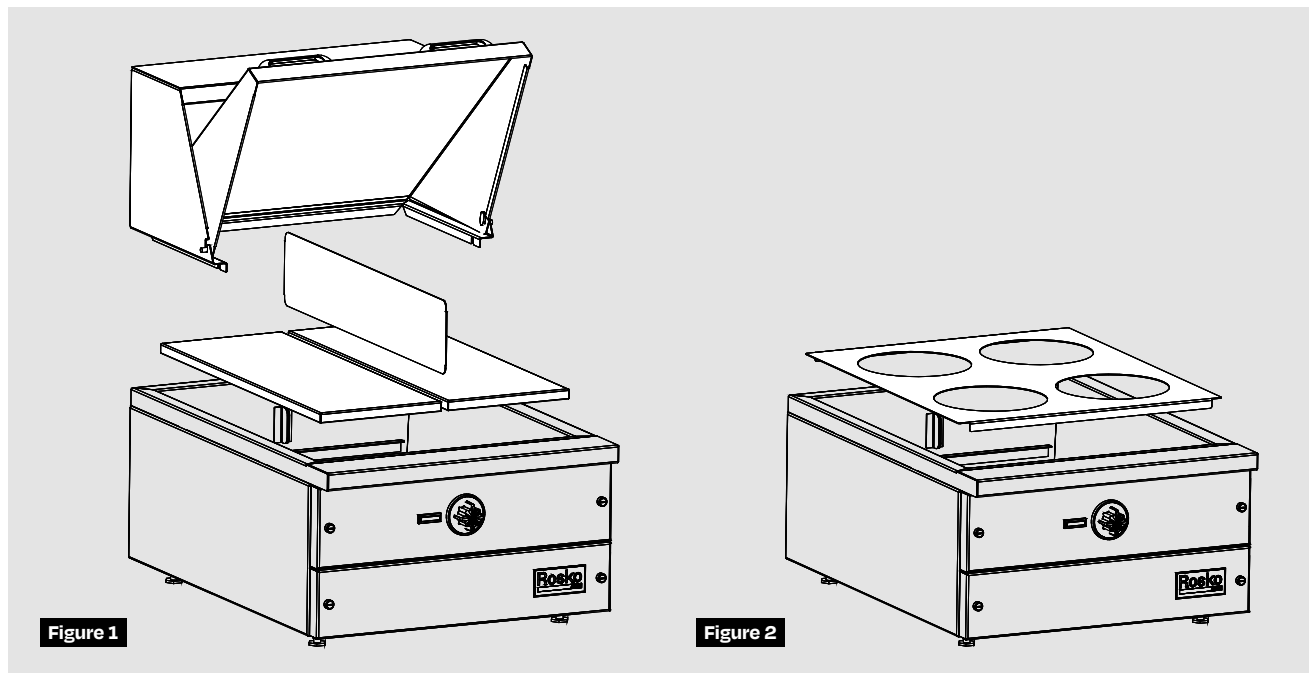
For installation on a moving base or surface with wheels, install the mounting device on the base used. The restriction must also counteract the stress on the connector and on the electrical supply wire.

WARNING

Always turn the steamer power off before removing the fastener.

NOTE: For standard use, make sure the unit is equipped with the 2 perforated grids, the separator, and the movable cover. (Figure 1)

NOTE: For round containers, use only the opening steam table adaptor plate supplied with the unit. (Figure 2)



2.5. CONNECTION

The wire entry for the connection is a 1" knockout located at the back of the steamer.

Use a 1" commercial electrical connector (not included) to insert the electrical supply wire into the unit.

The connection must be done by a certified technician or electrician.



WARNING

Installation must meet the requirements of the codes below, where applicable.

- State codes or local codes, or in the absence of local codes:
- The National Electrical Code **ANSI/NFPA 70**;
- State codes or local codes, or in the absence of local codes:
Canadian Electrical Code **CSA C22.1**.

1. Manually remove the 1" knockout located behind the steamer.
2. Remove the unit rear panel by unscrewing the six (6) fixing screws. **(Figure 3)**
3. Install and secure the commercial electrical connector (not included) in the hole provided on the rear panel. **(Figure 4)**

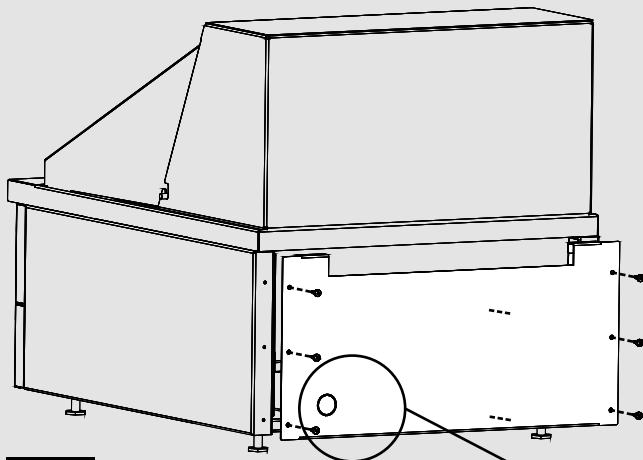


Figure 3

KNOCKOUT HOLE 1"

COMMERCIAL
CONNECTOR 1"

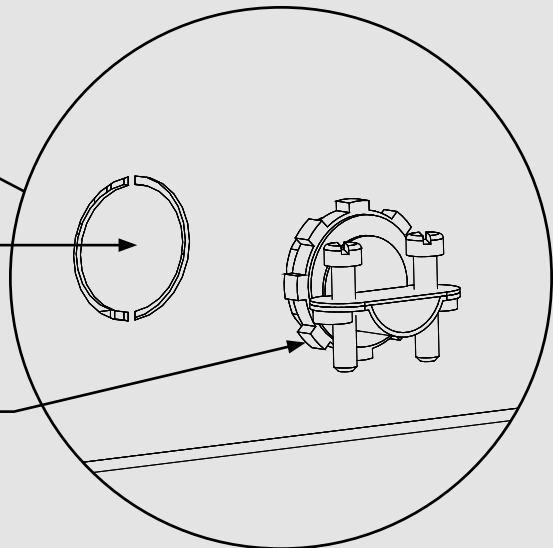


Figure 4

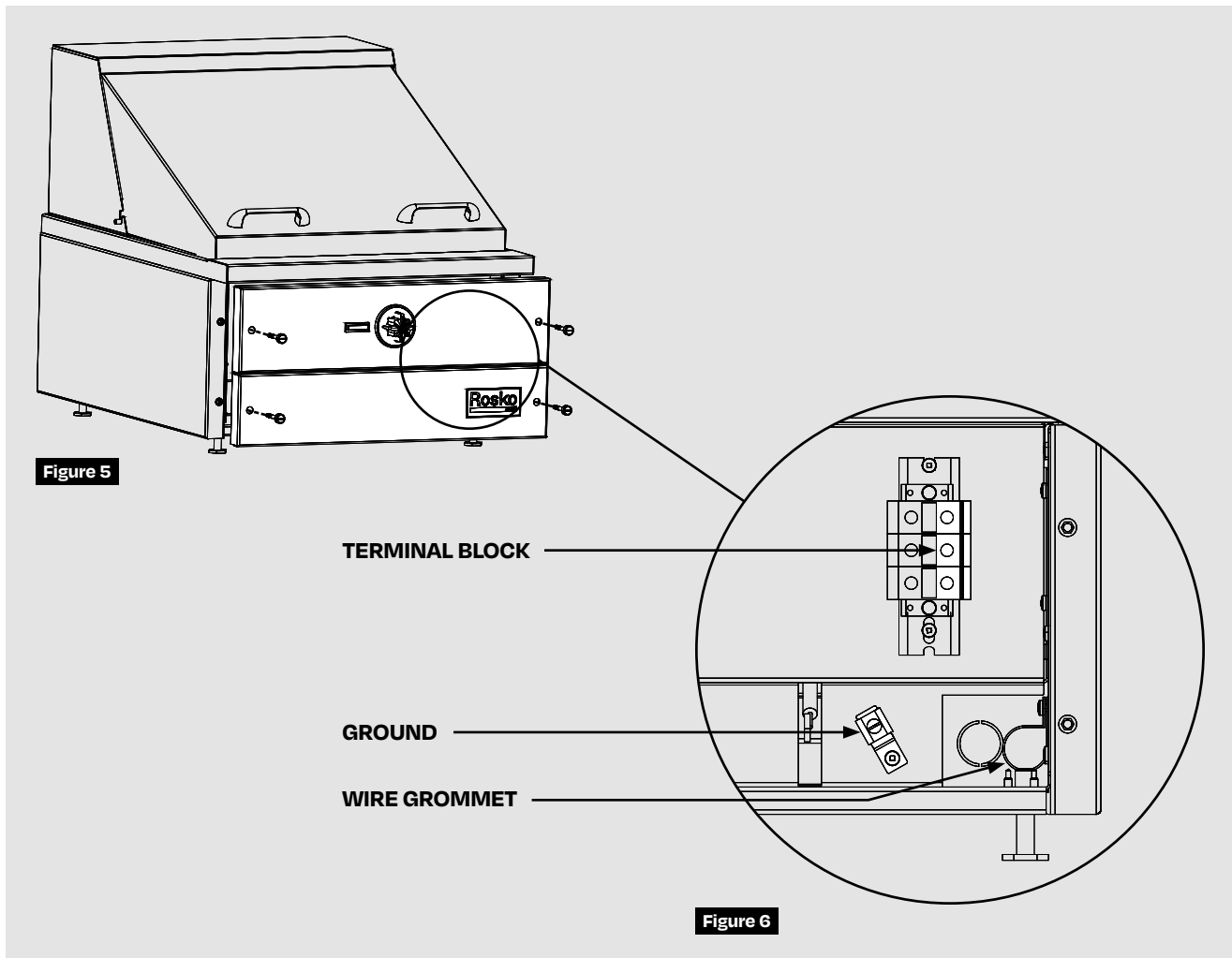
- To reach the terminal block, unscrew the four (4) bolts in front of the unit and remove the two (2) front panels. **(Figure 5)**
- Insert and secure the correct length of unsheathed wire in the connector to direct it to the terminal block located on the front of the unit.
- Make sure the end of the wire fits into the wire grommets before it reaches the terminal block. **(Figure 6)**

⚠ WARNING

Use a metal wire that can withstand a temperature of 300 °F (150 °C). The wire size must also support the operational current (A) listed on the device spec sheet.

- Replace the rear panel by screwing in the six (6) fixing screws and ensuring that the electrical connector is firmly in place.
- Make the electrical connections and grounding according to the electrical diagram. **(Figure 6)**

NOTE: See figure 8 for details on electrical connections.



- Replace the front panels in their original position by tightening the two (4) bolts.

⚠ WARNING

Be sure not to pinch the internal wiring of the unit when replacing the front panels.

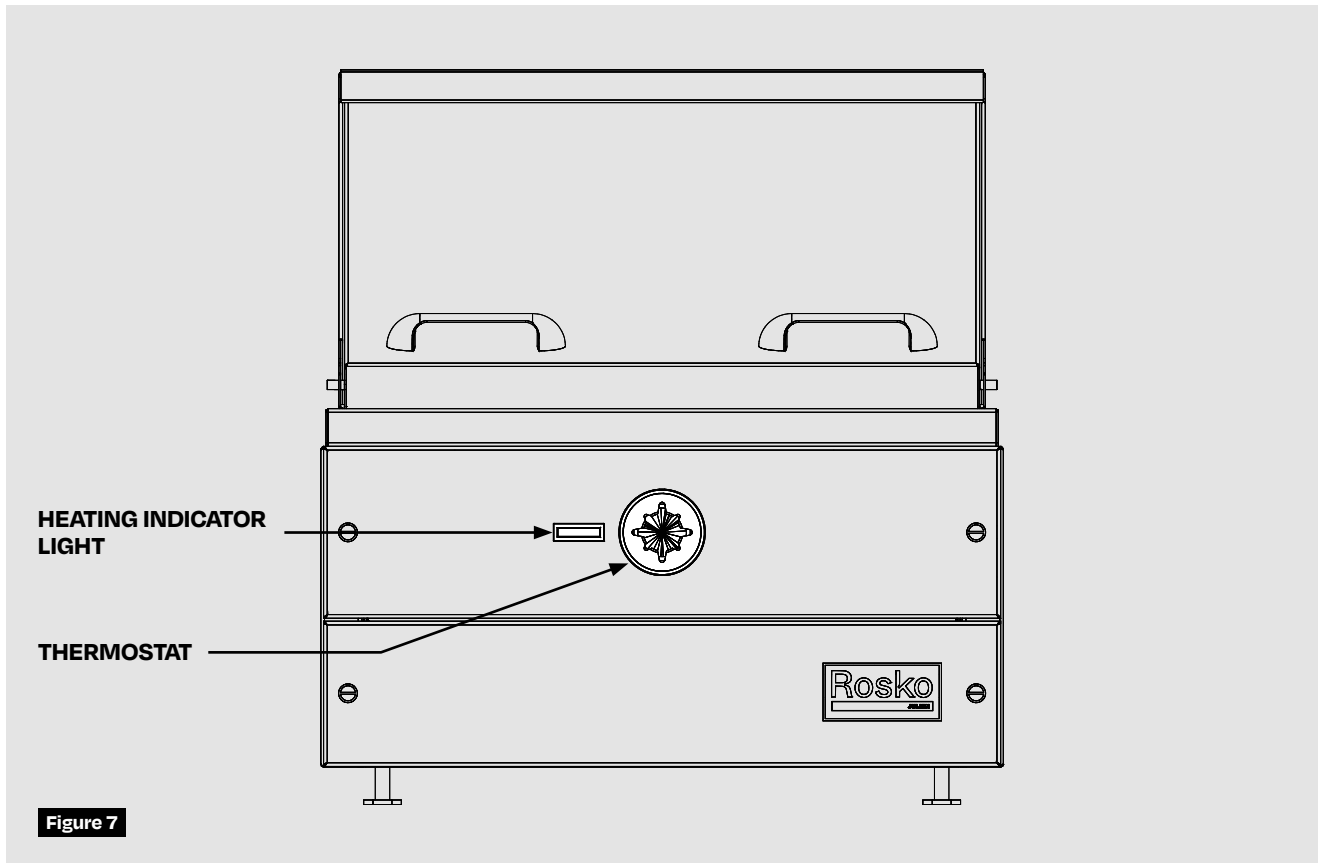
3. OPERATION

WARNING

This is not a dry-running unit. Make sure the bottom of the tank contains at least 1" of water before activating the steamer.

3.1. IGNITION

1. Turn the thermostat to the "OFF" position.
2. Open the movable cover and pour water up to the perforated grids.
3. Adjust the thermostat to the desired position. A red light will turn on to indicate that the element is heating.
(Figure 7)



3.2. PROLONGED SHUTDOWN

1. Turn the thermostat to the "OFF" position.
2. Turn off the main electric supply.
3. Remove the cover, the separator, and the two (2) grids.
4. Remove and manually empty the water tank.

4. MAINTENANCE



WARNING

It is important to turn off the unit main electric supply and allow the tank to cool before performing any form of maintenance.

4.1. CLEANING



WARNING

Every day, thoroughly clean exposed surfaces with a mild soap or other commercial cleaner designed for this purpose.

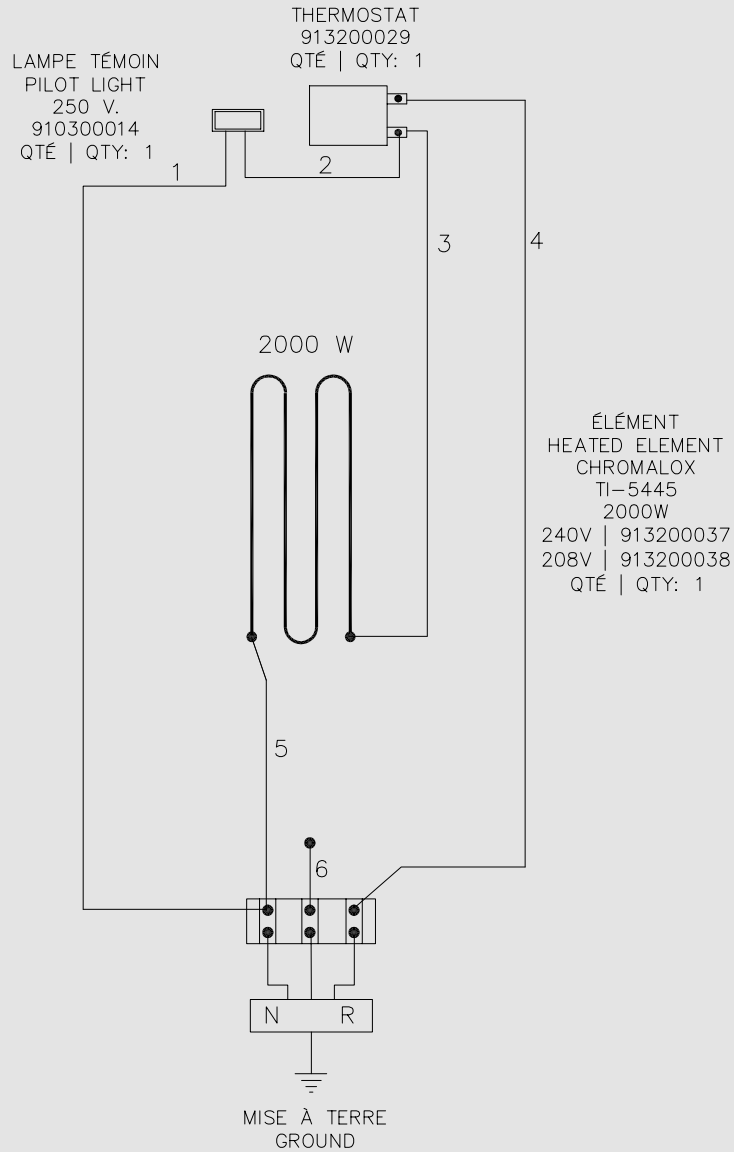
It is recommended to clean the inside of the tank and change the water regularly:

- Remove the cover, separator, and grids to clean them separately with soapy water.
- Clean the tank with a commercial detergent and a brush.
- Remove the tank and empty the used water manually before rinsing with hot water.
- Replace the tank and the upper parts in the original positions.

5. ELECTRICAL DIAGRAM

5.1. RO-HDSCE-18

HDSCE-18 | RÉCHAUD À VAPEUR ÉLECTRIQUE | ELECTRIC HOT FOOD STEAMER



DONNÉES ÉLECTRIQUE ELECTRICAL DATA

240V/1PH/2000W		8.3 AMPS		60 CYCLES
208V/1PH/2000W		9.5 AMPS		60 CYCLES

TYPE DE FIL ÉLECTRIQUE ELECTRICAL WIRE TYPE

14 GA. SEW-2 | 150°C

Figure 8

6.5. SERVICE PARTS

6.1. RO-HDSCE-18

See **figure 9** for identification of service parts

#	Code	Description	Qty
1	913200029	Thermostat OFF/200-400 °F	1
2	913900221	Knob Ring for Control OFF/200-400 °F	1
3	913900220	Control Knob for Commutable Ring	1
4	910300014	Red Square Indicator Light 250 V	1
5	913200037	Element 2000 W for 240 V Electric Steamer	1
	913200038	Element 2000 W for 208 V Electric Steamer	1

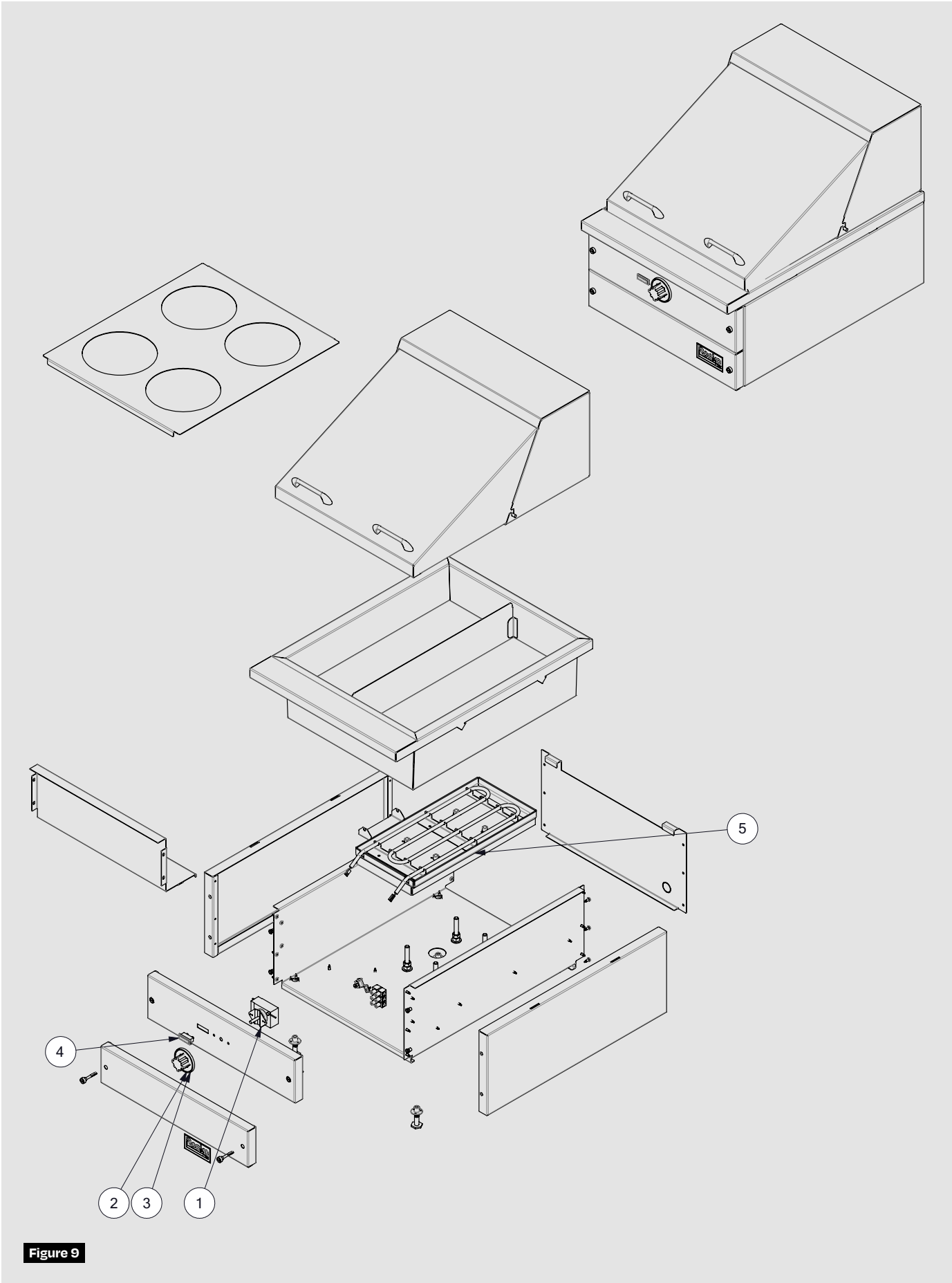
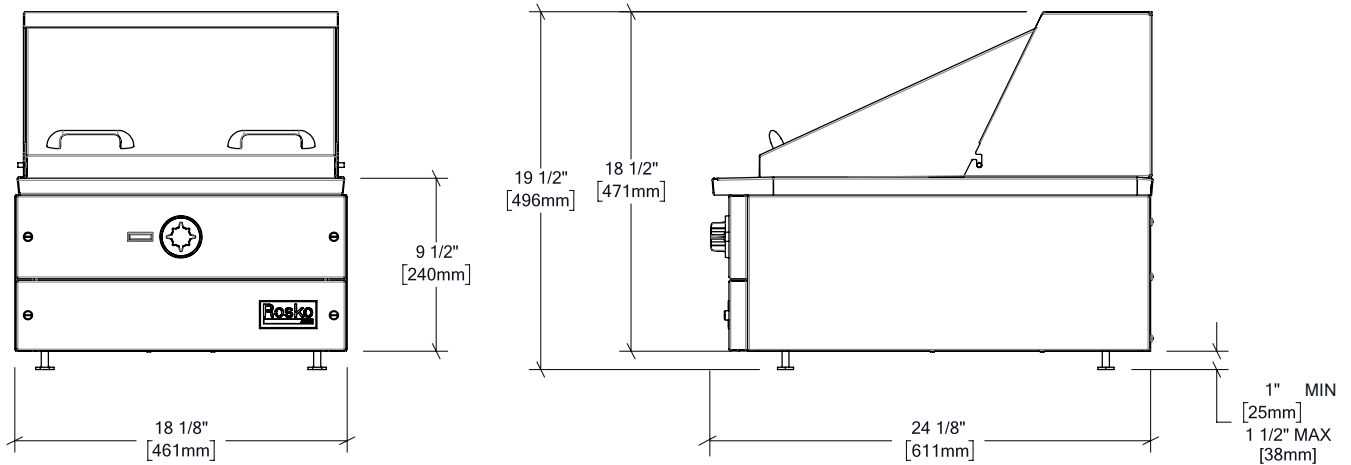


Figure 9

7. SPECIFICATIONS

This guide is dedicated to the Rosko electric countertop hot-dog steamer listed below.



Models	Width	Depth	Total height	Capacity	Weight	Packaging dimensions (W x D x H)
RO-HDSCE-18-1	18" – 457 mm	24" – 610 mm	19 ½" – 495 mm	66 lb – 30 L	76 lb – 34 kg	20 x 30 x 27" 508 x 762 x 686 mm
RO-HDSCE-18-2						

Models	Total output	Number of controls/elements	Voltage	Amperage 1 phase
RO-HDSCE-18-1	2 000 W	1	208 V	9,50 A
RO-HDSCE-18-2			240 V	8,30 A



WARNING

Keep this guide for future reference.

CONTACT US

sav@doyondespres.com