

Rosko

RO-GCG

Gas Countertop Griddle

 RO-GCG-18

 RO-GCG-24

 RO-GCG-36

 RO-GCG-24-CP

 RO-GCG-36-CP


RO-GCG-36



Option

 RO-ACC-4LEG - Set of 4" (102 mm) Adjustable Legs

Construction

- Made of grade 430 stainless steel
- 1/2" (13 mm) thick polished steel cooking plate
- Optional chrome plated griddle for 24" (610 mm) and 36" (914 mm) plate models
- 3" (77 mm) high splash guards on three (3) sides
- Removable grease pan drawer
- 1" (25 mm) adjustable stainless steel feet

Operation

- All models offer a propane or natural gas power supply :
 - Factory assembled for a natural gas installation, including a pressure regulator
 - Propane conversion kit included
 - Power conversion must be completed by a certified technician
- Power outputs from 20 000 to 60 000 BTU/H available depending on the model
- Thermostatic control of temperature from 100 °F to 450 °F (38 °C to 232 °C)
- 1/2" (13 mm) NPT gas connector

Legal

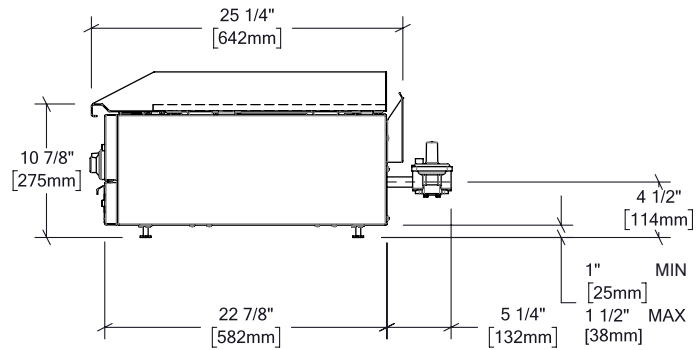
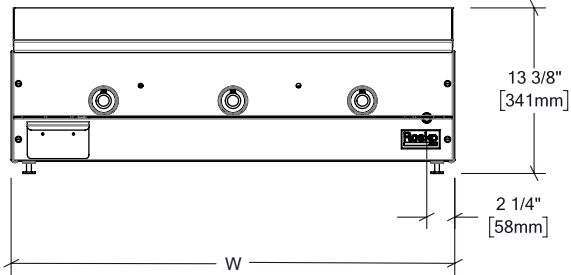
- All models require a 6" (152 mm) clearance on both sides as well as behind the unit if next to combustible material
- All models require commercial installation and are not intended for residential use
- One (1) year limited warranty on parts and labor
- Certified to ANSI Z83.11b/CSA 1.8b-2009 standards



955, rue Lachance
Québec, QC G1P 2H3
Canada

1-866-444-1110
sav@doyondespres.com
doyondespres.com/marques/rosko

Due to the continuous development of the product, specifications are subject to change without notice



Model	Width (W)	Depth	Total height	Cooking surface	Weight	Shipping dimensions (W x D x H)
RO-GCG-18	18" - 457 mm	25 1/4" - 642 mm	13 3/8" - 341 mm	17 1/2" x 19" 445 x 483 mm	95 lb - 43 kg	30 x 20 x 27" 762 x 508 x 686 mm
RO-GCG-24	24" - 610 mm			23 3/2" x 19" 597 x 483 mm	130 lb - 59 kg	38 x 38 x 24" 965 x 965 x 610 mm
RO-GCG-24-CP	24" - 610 mm			23 3/2" x 19" 597 x 483 mm	130 lb - 59 kg	38 x 38 x 24" 965 x 965 x 610 mm
RO-GCG-36	36" - 914 mm	25 1/4" - 642 mm	13 3/8" - 341 mm	35 1/2" x 19" 902 x 483 mm	190 lb - 86 kg	40 x 30 x 24" 1016 x 762 x 610 mm
RO-GCG-36-CP						

Model	Total output	Number of controls / burners	Natural gas operating pressure	Propane gas operating pressure	Polished steel cooking plate	Chrome plated steel cooking plate (Option CP)
RO-GCG-18	20 000 BTU/H	1	7 po W.C.	11 po W.C.	■	
RO-GCG-24	40 000 BTU/H	2			■	
RO-GCG-24-CP						■
RO-GCG-36	60 000 BTU/H	3			■	
RO-GCG-36-CP						■